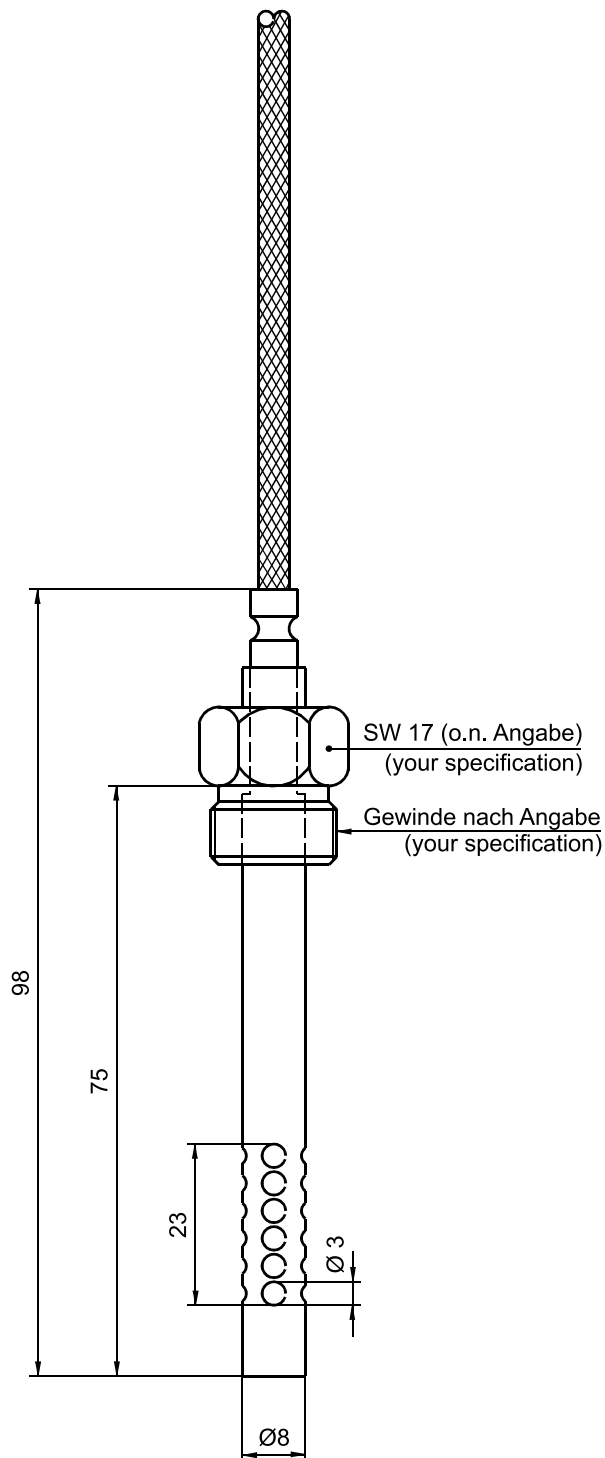


Air-Resistance Temperature Sensor Type : LWDF-NP 7



sensor resistor : Pt 100 Ω
at 0°C (DIN EN 60751) Kl. B
2 x Pt 100 Ω
at 0°C (DIN EN 60751) Kl. B

(other designs available)

sensor tip : \varnothing 8 mm (Ms),
laterally drill holes je \varnothing 3 mm

installation depth : 75 mm incl. thread
(or to customer)

nipple : Ms 58 nickel-plated

operation temperature : to max. 400°C

connecting cable : 2 x 0,35 mm²
copper braid, fiber glass
insulation and specially
impregnated wire mesh from
soft galvanized iron wires

**Other customer preferences are possible
Subject to modifications!**

47/07