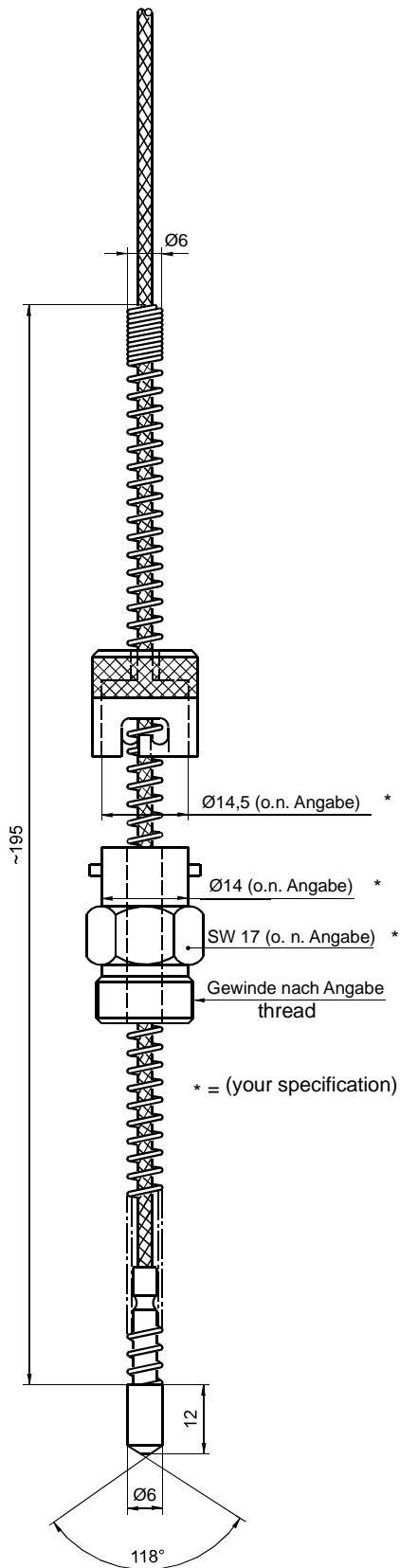


Resistance Temperature Sensor Type : BWDF-VS 29



sensor resistor : Pt 100 Ω
 at 0°C (DIN EN 60751) Kl. B
 2 x Pt 100 Ω
 at 0°C (DIN EN 60751) Kl. B
 (other designs available)

sensor tip : \varnothing 6 mm (VA)

installation depth : ca. 30 to 150 mm
 (or to customer)

nipple : Ms 58 nickel-plated

bayonet cap : Ms 58 nickel-plated

compression spring : V2A

operation temperature : to max. 400°C

connecting cable : 2 x 0,35 mm²
 copper braid, fiber glass
 insulation and specially
 impregnated wire mesh from
 soft galvanized iron wires

**Other customer preferences are possible
 Subject to modifications!**

47/07