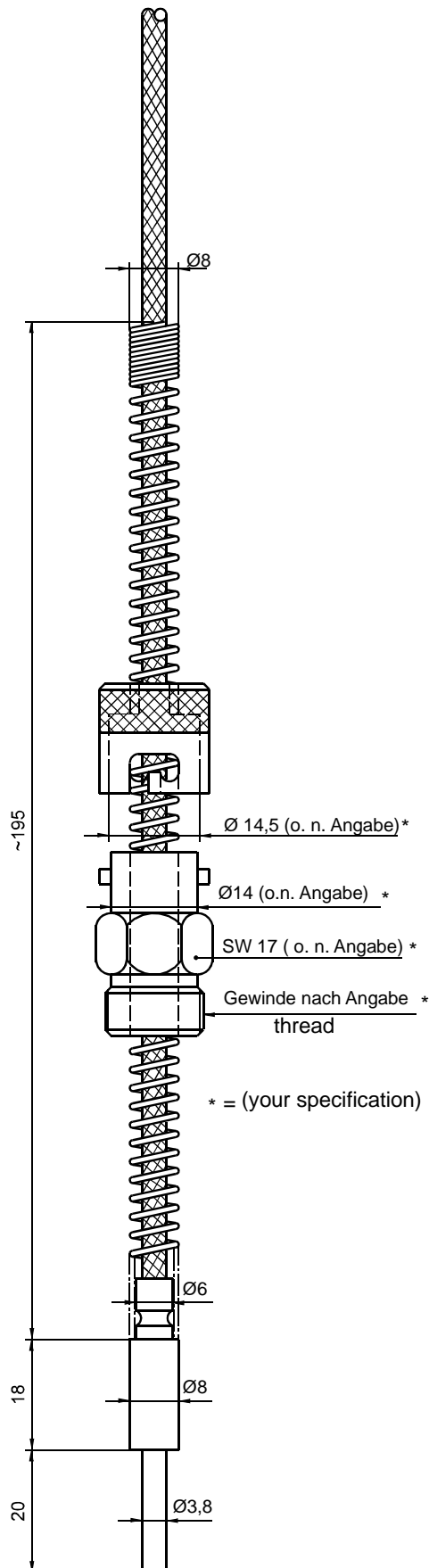


Data Sheet 7017

Resistance Temperature Sensor Type : BWDF-VP 5



sensor resistor : Pt 100 Ω
at 0°C (DIN EN 60751) Kl. B

(other designs available)

sensor tip : \varnothing 3,8/ 8 mm (Ms)

installation depth : ca. 30 to 150 mm
(to customer)

nipple : Ms 58 nickel-plated

bayonet cap : Ms 58 nickel-plated

compression spring : V2A

operation temperature : to max. 400°C

connecting cable : 2 x 0,35 mm²
copper braid, fiber glass
insulation and specially
impregnated
wire mesh from
soft galvanized iron wires

**Other customer preferences are possible
Subject to modifications!**

47/07