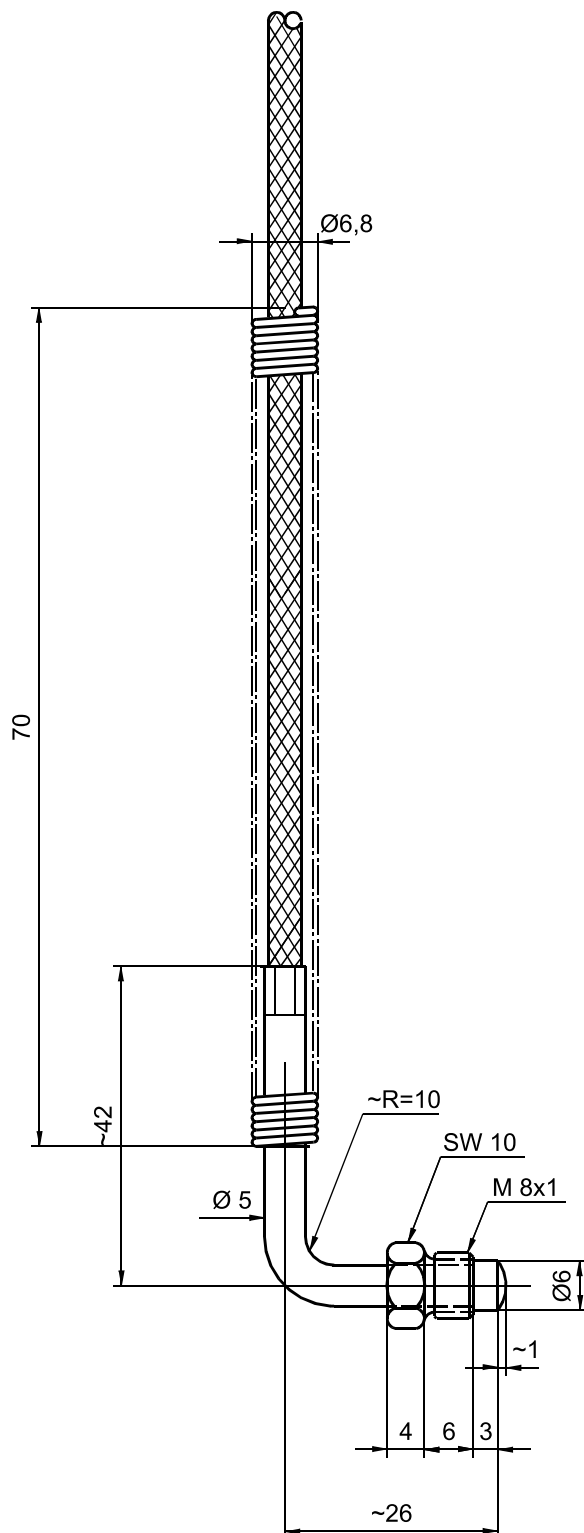


Angle-Thermocouple Type : WT-NH 3



thermoelectric voltages : Fe-CuNi ½ DIN 43710 (L)
Fe-CuNi DIN EN 60584, Kl. 1 (J)
NiCr-Ni DIN EN 60584, Kl. 1 (K)

sensor tip : Ø 6 mm

installation depth : ca. 7 to 9 mm incl. thread

nipple : Ms 58 nickel-plated

controll point : soldered/ hemispherical

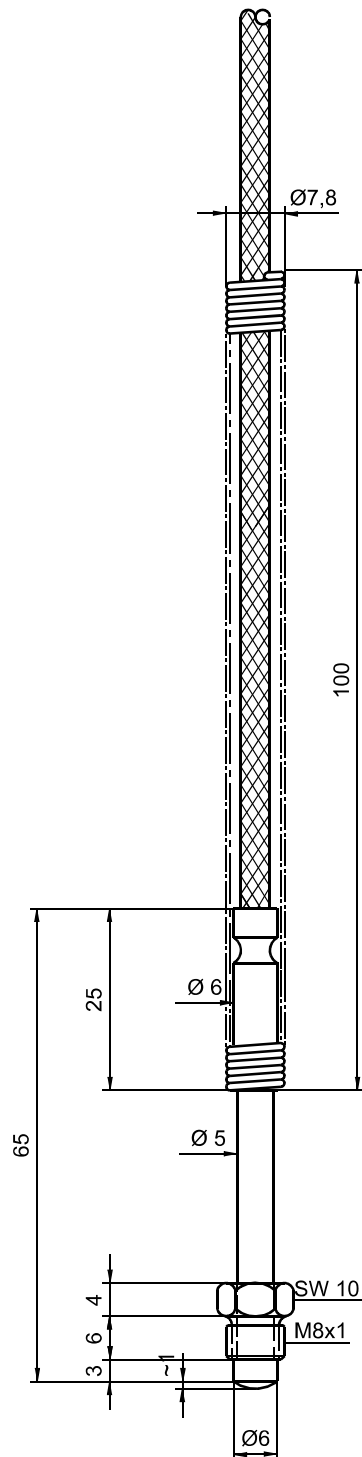
operation temperature : to max. 400°C

thermocouple wire : 2 x 0,35 mm²
fiber glass insulation
and specially impregnated
wire mesh from soft galvanized
iron wires

**Other customer preferences are possible
Subject to modifications!**

42/13

Thermocouple Type : T-NH 3



thermoelectric voltages : Fe-CuNi ½ DIN 43710 (L)
Fe-CuNi DIN EN 60584, Kl. 1 (J)
NiCr-Ni DIN EN 60584, Kl. 1 (K)

sensor tip : Ø 6 mm

installation depth : ca. 7 to 9 mm incl. thread

nipple : Ms 58 nickel-plated

controll point : soldered/ hemispherical

operation temperature : to max. 400°C

thermocouple wire : 2 x 0,35 mm²
fiber glass insulation
and specially impregnated
wire mesh from soft galvanized
iron wires

**Other customer preferences are possible
Subject to modifications!**

25/03