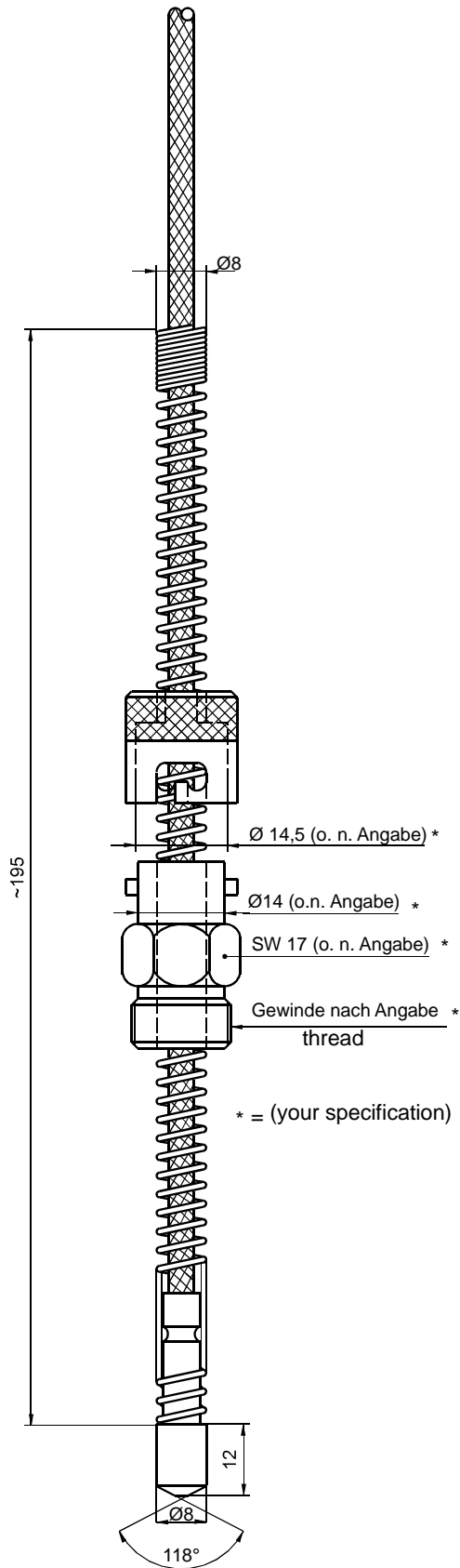


Thermocouple Type : BT-VS 2



thermoelectric voltages : Fe-CuNi $\frac{1}{2}$ DIN 43710 (L)
Fe-CuNi DIN EN 60584, Kl. 1 (J)
NiCr-Ni DIN EN 60584, Kl. 1 (K)

sensor tip : $\varnothing 8$ mm (VA)

installation depth : ca. 15 to 150 mm
(or to customer)

nipple : Ms 58 nickel-plated

bayonet cap : Ms 58 nickel-plated

compression spring : V2A

control point : welded/ 118° drill angle

operation temperature : to max. 400°C

thermocouple wire : $2 \times 0,35$ mm²
fiber glass insulation
and specially impregnated
wire mesh from soft galvanized
iron wires

Other customer preferences are possible
Subject to modifications!

25/03