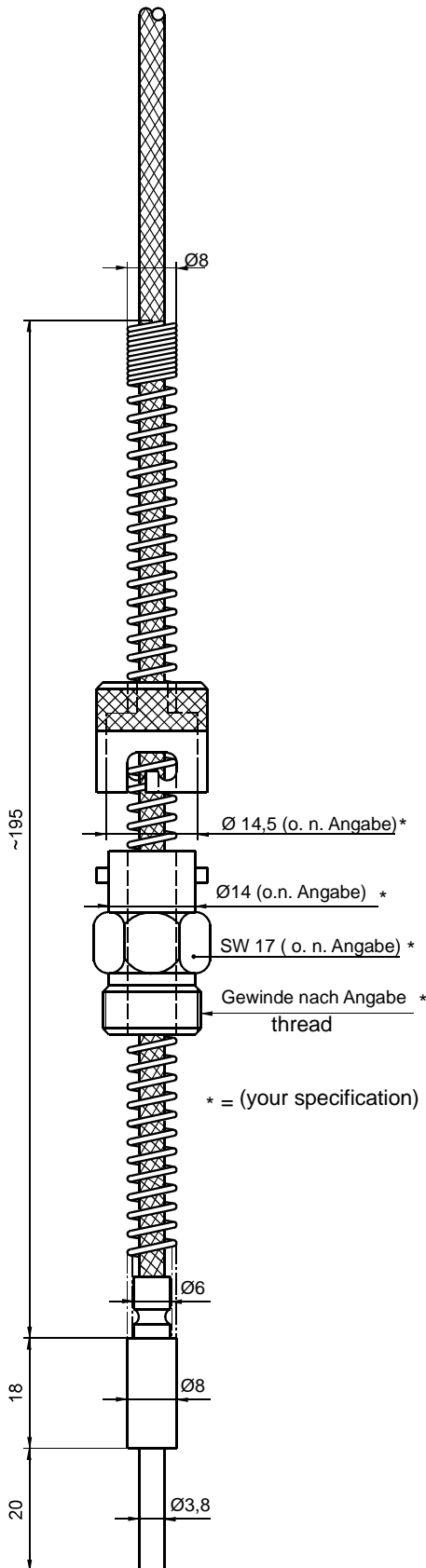


Thermocouple Type : BT-VP 5



thermoelectric voltages : Fe-CuNi ½ DIN 43710 (L)
Fe-CuNi DIN EN 60584, Kl. 1 (J)
NiCr-Ni DIN EN 60584, Kl. 1 (K)

sensor tip : Ø 3,8/ 8 mm (Ms)

installation depth : ca. 20 to 150 mm
(or to customer)

nipple : Ms 58 nickel-plated

bayonet cap : Ms 58 nickel-plated

controll point : soldered/ plane

operation temperature : to max. 400°C

thermocouple wire : 2 x 0,35 mm²
fiber glass insulation
and specially impregnated
wire mesh from soft galvanized
iron wires

**Other customer preferences are possible
Subject to modifications!**

25/03