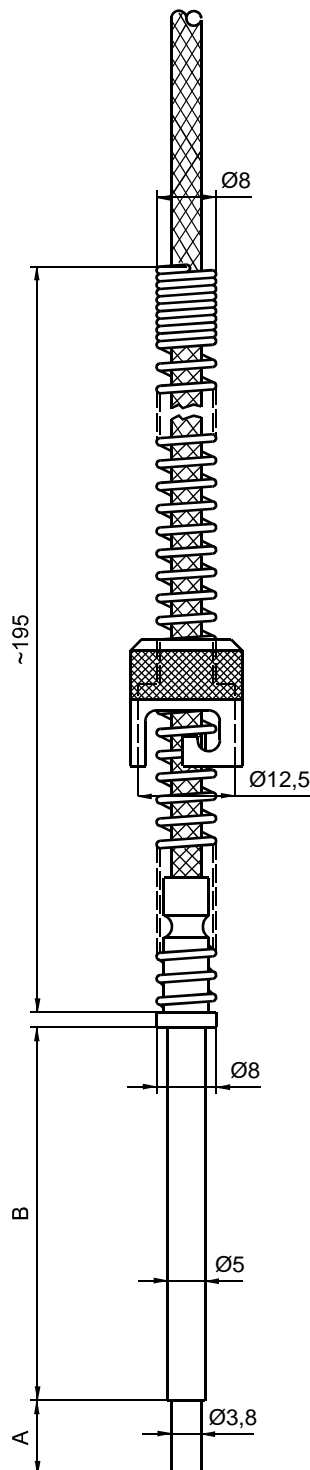


### Thermocouple Type : BT-KP 19



Maße für A,B nach Angabe

(dimension f. A,B to be made  
to your specification)

**thermoelectric voltages** : Fe-CuNi ½ DIN 43710 (L)  
Fe-CuNi DIN EN 60584, Kl. 1 (J)  
NiCr-Ni DIN EN 60584, Kl. 1 (K)

**sensor tip** : Ø 3,8/ 5/ 8 mm (VA)

**installation depth** : A+B to customer

**bayonet cap** : Ms 58 nickel-plated

**compression spring** : V2A

**control point** : soldered/ plane

**operation temperature** : to max. 400°C

**thermocouple wire** : 2 x 0,35 mm<sup>2</sup>  
fiber glass insulation  
and specially impregnated  
wire mesh from soft galvanized  
iron wires

**Other customer preferences are possible**  
**Subject to modifications!**

25/03